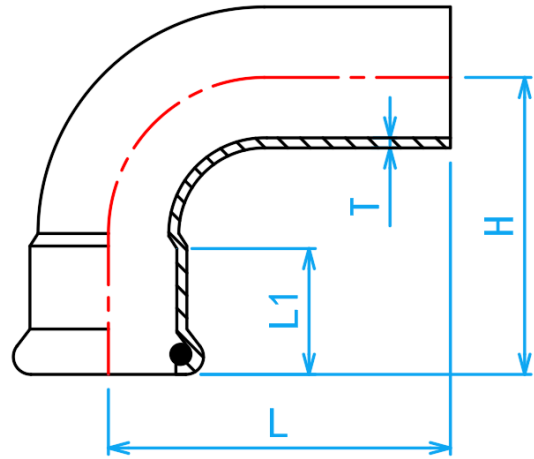


STAINLESS STEEL 316L PRESS FIT FITTINGS (M PROFILE)

COMPLY WITH BSEN1254-2: 1998



MXF 90° ELBOW



CROSS SECTIONAL VIEW

DIMENSIONS

SKU	SIZE (mm)	L (mm)	L1 (mm)	H (mm)	T (mm)	WEIGHT (kg)	PCS/CTN
SS316LPFNE90015MF	15	42	20	44	1.5	0.042	360
SS316LPFNE90020MF	22	51	21	55	1.5	0.093	150
SS316LPFNE90025MF	28	60	23	68	1.5	0.131	160
SS316LPFNE90035MF	35	72	26	89	1.5	0.212	100
SS316LPFNE90042MF	42	85	31	95	1.5	0.268	60
SS316LPFNE90050MF	54	105	36	113	1.5	0.415	30
SS316LPFNE90065MF	67	140	50	150	1.8	0.800	15
SS316LPFNE90080MF	76	150	51	182	2.0	1.026	12
SS316LPFNE90100MF	108	221	75	238	2.0	2.206	4